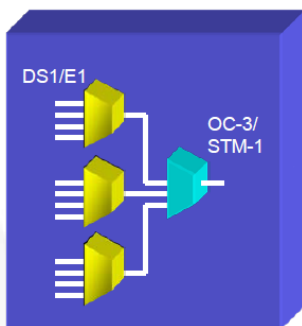


# TransAccess 155

## Ultra-Compact MultiPlexer

### Key Features

- Distributed switching architecture enables pay-as-you-grow scalability up to 100Gbps of capacity
- Lowers CAPEX by delivering versatile Carrier Ethernet and TDM services from a single shelf
- Reduces OPEX by minimizing space and power requirements in CO and colocation facilities
- Unified network management system to provision Ethernet and TDM services
- Provides carrier class service protection and restoration in less than 50 milliseconds
- Enables delivery of carrier-class, MEF-compliant E-Line and E-LAN Ethernet services
- Supports advanced QoS traffic management to support triple play service aggregation and wireless backhaul
- Global solution supports SONET/SDH conversion for international gateway applications



The ultra-compact multiplexer combines up to 84 T1s (63 E1s) onto an OC-3 (STM-1) trunk and carrier-grade NEBS Level 3 Certified design that supports 1+1 APS/MSP for optical trunks.

### 84T1/63E1 to OC-3/STM-1 Mux Multiplexer

The TransAccess™ 155 (TA-155) is an affordable and ultra-compact edge multiplexer optimized for consolidating T1/E1 connections onto the SONET/SDH transport network. The high density design of the TA-155 supports up to three M13 muxes (84 T1s) and an OC-3/STM-1 Add/Drop Multiplexer in a 1RU footprint. The TA-155 is ideal for deployments where space is at a premium, such as CPE and co-location environments. The TA-155 is also a global solution that supports both ANSI/SONET and ETSI/SDH applications.

### Flexibility and Efficiency

The TA-155 combines the functionality of three complete M13 Multiplexers with an OC-3/STM-1 Add/Drop Multiplexer. Only 1RU high, the platform provides the densest broadband multiplexing solution available for carriers.

The TA-155 is ideal for termination of OC-3/STM-1 signals, highly-efficient intra-office transport of T1s/E1s, or anywhere space is at a premium or low power consumption is a must. UPSR ring deployment is also supported. T1s and E1s can be mixed within an OC-3/STM-1. Extensive diagnostic and alarm features are standard. 1x1 redundancy is available for all circuitry. Internal, external, through, line, and loop timing modes are all supported.

### Key TA-155 Applications

- Feeder mux for high-density T1/E1 Traverse or TraverseEdge deployments
- High-density T1/E1 business service delivery
- Wireless cell site interconnect and backhaul
- Add/Drop or Terminal multiplexer

# TransAccess 155 Ultra-Compact Multiplexer

## Chassis

- TransAccess 155 Multiplexer
- Dimensions: 1.75" h x 17.37" w x 12" d (4.45 cm x 44.12 cm x 30.5 cm)
- Weight: Maximum of 8 lbs.
- Mounting Ears: Reversible for 19" or 23" racks

## Power

- Separate A & B battery feeds
  - 48VDC, 30 watts
  - 24VDC, 30 watts

## Environmental

- Temperature hardened
- Operating Temp: -40o to 65o C (with fans)
- Operating Humidity: To 95% max. relative humidity (non-condensing)

## System Management

- VT100 terminal
- Telnet
- SNMP (Fully-compliant Charles Industries MIB)
- Web Browser
- TL-1
- Serial interface, 1200 baud to 115 kilobaud
- Ethernet 10BaseT, RJ45 Connector
- Remote management via SONET DCC

## OC-3/STM-1 Interfaces

- Line Rate: 155.52 Mbps +/- 20ppm
- Output Power (IR): -8dbm to -15 dbm
- Input Sensitivity (IR): -29 dbm
- Output Power (LR): 0 dbm to -5 dbm
- Input Sensitivity (LR): -32 dbm
- Optical Connector: LC
- Optical Cable: Single-mode 1310 nm

## T1 Interfaces

- Line Rate TX: 1.544 Mbps +/- 50 ppm
- RX: 1.544 Mbps +/- 130
- Line Code: AMI or B8Zs
- LBO Settings: 0 to 655 ft.
- Line Framing: SF (D4), ESF, or Unframed
- Line Interface: Six 68-pin SCSI

## E1 Interfaces

- DLine Rate: 2.048 Mbps +/- 50 ppm
- Line Code: AMI or HDB3
- Line Framing: CCS, CAS, Unframed
- Line Interface: Six 68-pin SCSI

## Performance Monitoring

- Cumulative and Severely Errored Seconds:
- OC-3 Section B1 errors
- OC-3 Line B2 errors
- STS-1 Path B3 errors
- T1/E1 BPV errors
- 24 Hr. Statistics

## Certifications

- UL/C-UL
- NEBS level 3
- FCC Part 15 Class A